



**Model Number**

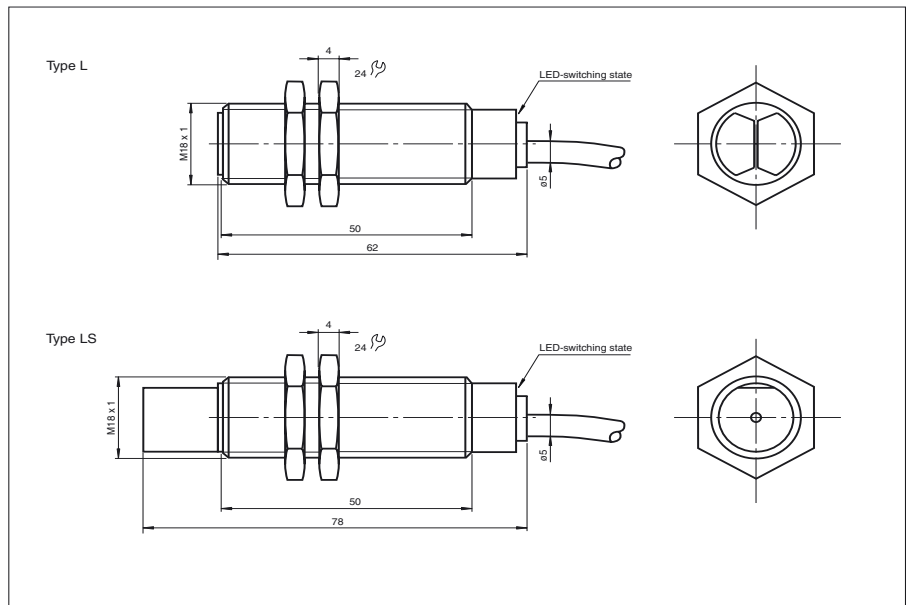
**VL18-6-L/32/40b/115**

Retro-reflective sensor  
with 2 m fixed cable

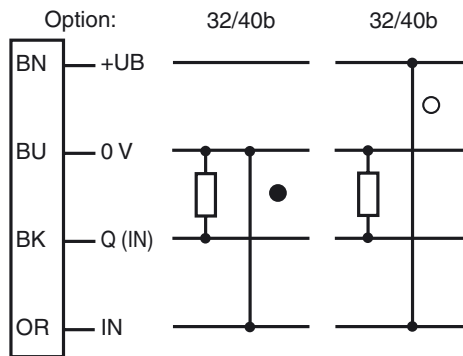
**Features**

- Detection range up to 6000 mm
- M18 threaded housing made of plastic
- Infrared light design
- Electrical light-/dark switching
- Optical face alternatively lateral or frontal

**Dimensions**



**Electrical connection**



○ = Light on  
● = Dark on

Release date: 2009-08-18 16:19 Date of issue: 2009-08-18 T1595\_ENG.xml

## Technical data

### General specifications

Effective detection range	0 ... 4 m
Reflector distance	0.1 ... 4 m
Threshold detection range	6 m (with C110-2 reflector)
Light source	IRED
Approvals	CE
USA	UL
Kanada	CSA
Light type	infrared, modulated light
Diameter of the light spot	approx. 200 mm at 4000 mm detection range
Angle of divergence	approx. 4 °
Optical face	frontal
Ambient light limit	90000 Lux

### Indicators/operating means

Function display	LED red
------------------	---------

### Electrical specifications

Operating voltage	$U_B$	10 ... 30 V DC
Ripple		5 %
No-load supply current	$I_0$	< 35 mA

### Output

Switching type	Light/dark ON selectable programmable	
Signal output	1 pnp, short-circuit proof, protected against reverse polarity	
Switching voltage	30 V DC	
Switching current	max. 100 mA	
Switching frequency	f	500 Hz
Response time		1 ms

### Standard conformity

Standards	EN 60947-5-2
-----------	--------------

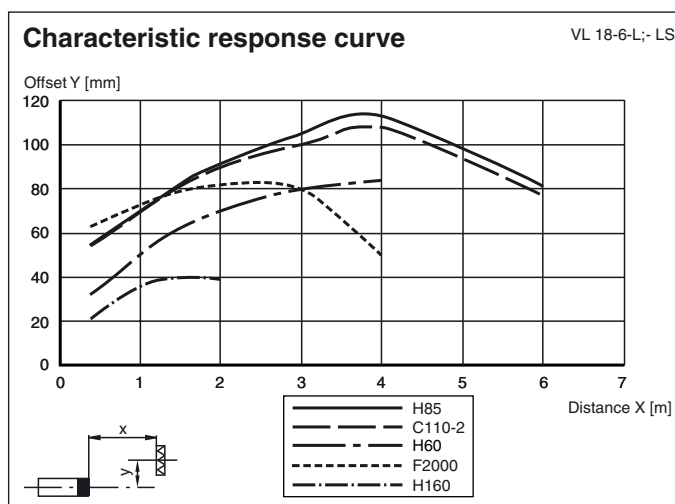
### Ambient conditions

Ambient temperature	-35 ... 60 °C (238 ... 333 K)
Storage temperature	-20 ... 60 °C (253 ... 333 K)

### Mechanical specifications

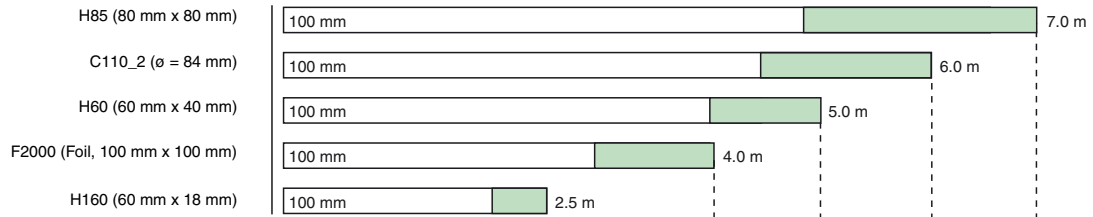
Protection degree	IP67
Connection	2 m fixed cable
Material	
Housing	plastic
Optical face	plastic
Mass	30 g

## Curves/Diagrams



**Relative received light strength**

Reflector type:



Stability control > 3  
 Stability control < 3

